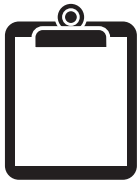


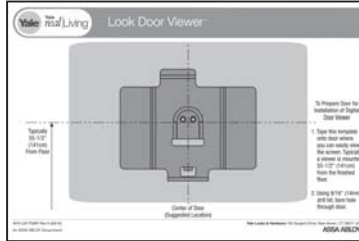
Yale Locks & Hardware



Partnering with
Habitat for Humanity
since 2001

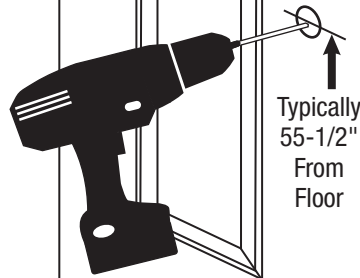


Preparing Door



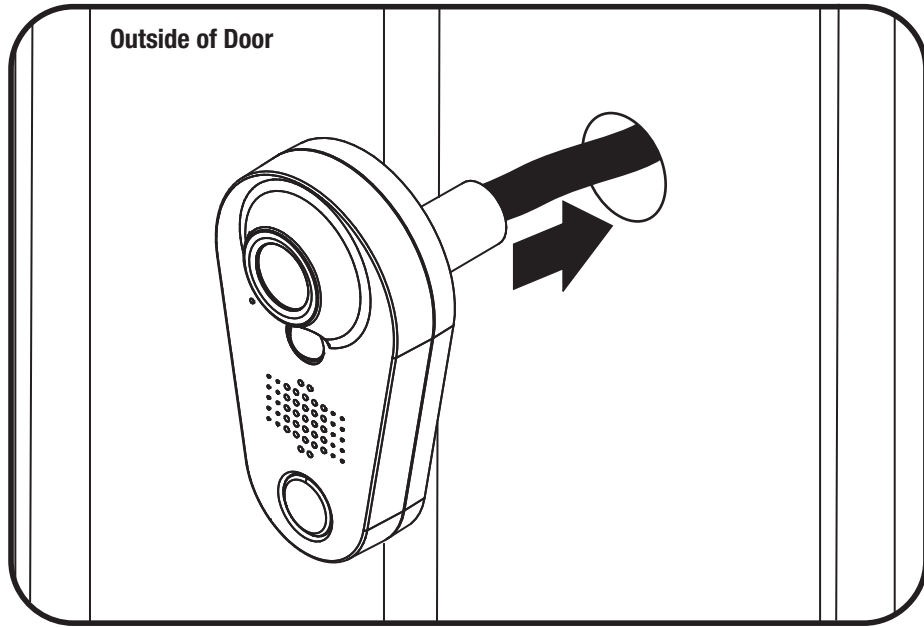
Remove Existing Hardware

9/16" Drill Bit



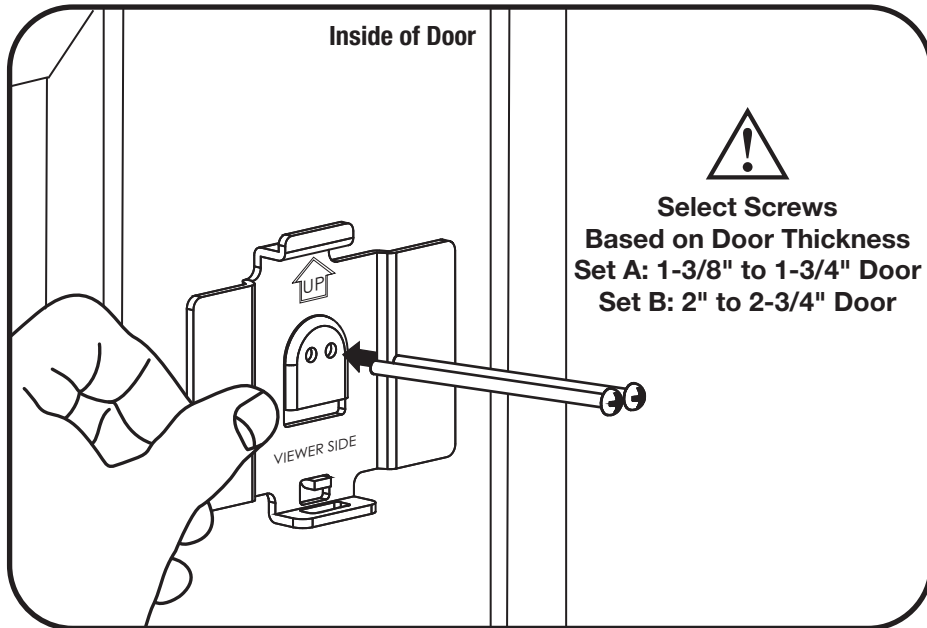
1

Installing Camera



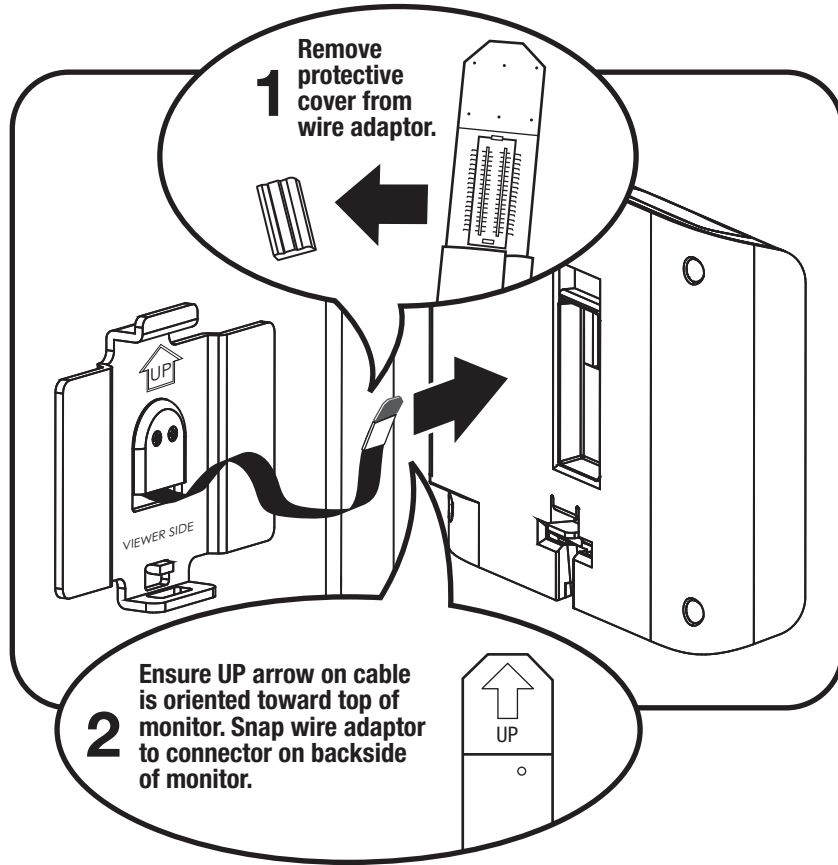
2

Installing Mounting Bracket



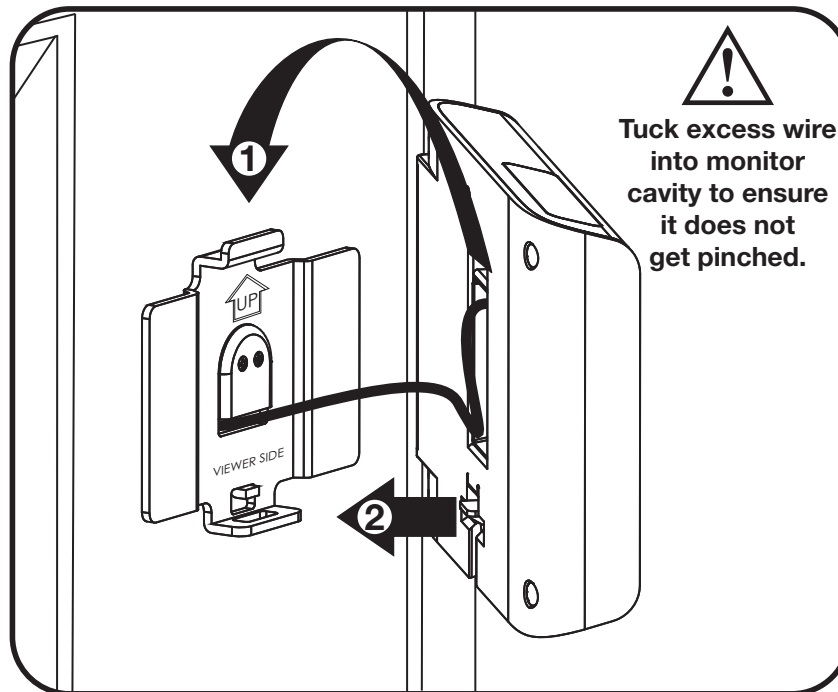
3

Connecting Camera to Viewer



4

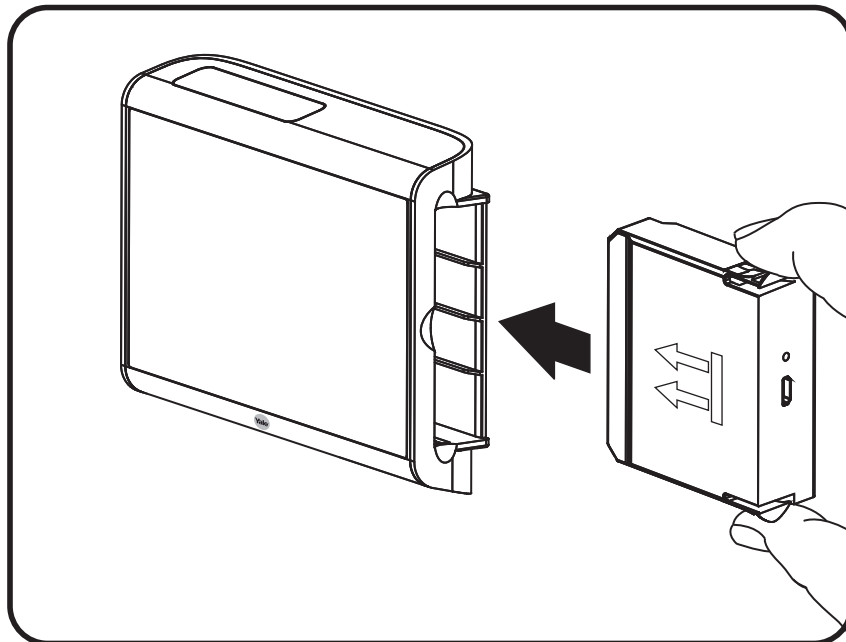
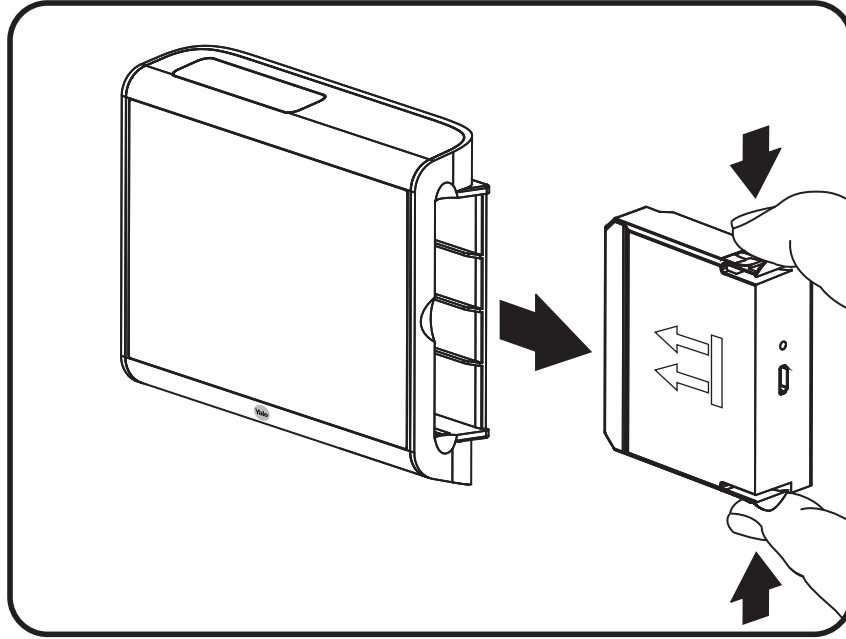
Mounting Viewer



5

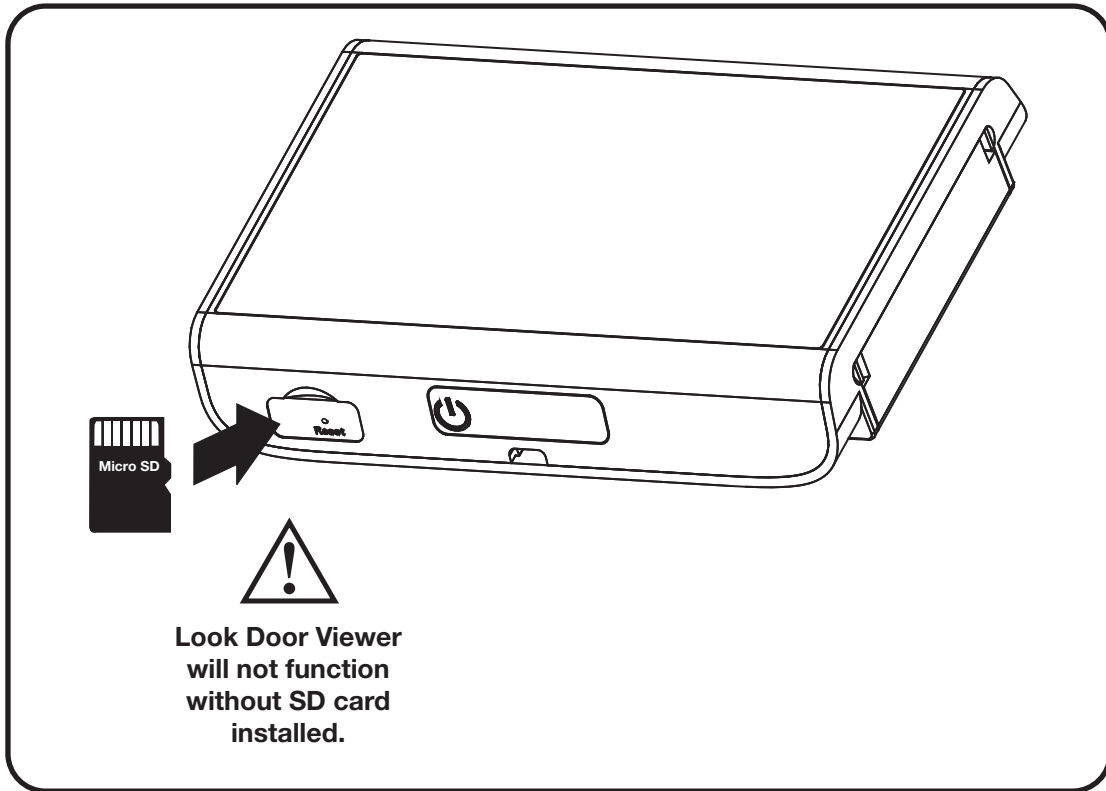
Installing & Removing Battery Pack

Fully charge battery before initial use. See "Charging Battery Pack".



6

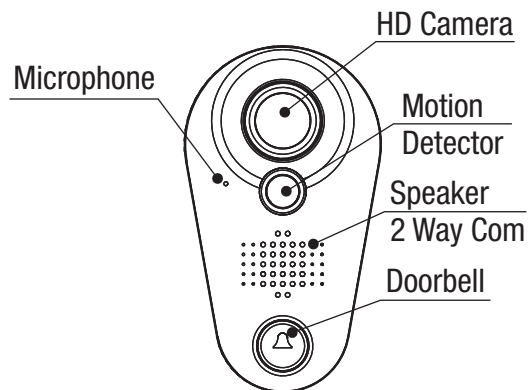
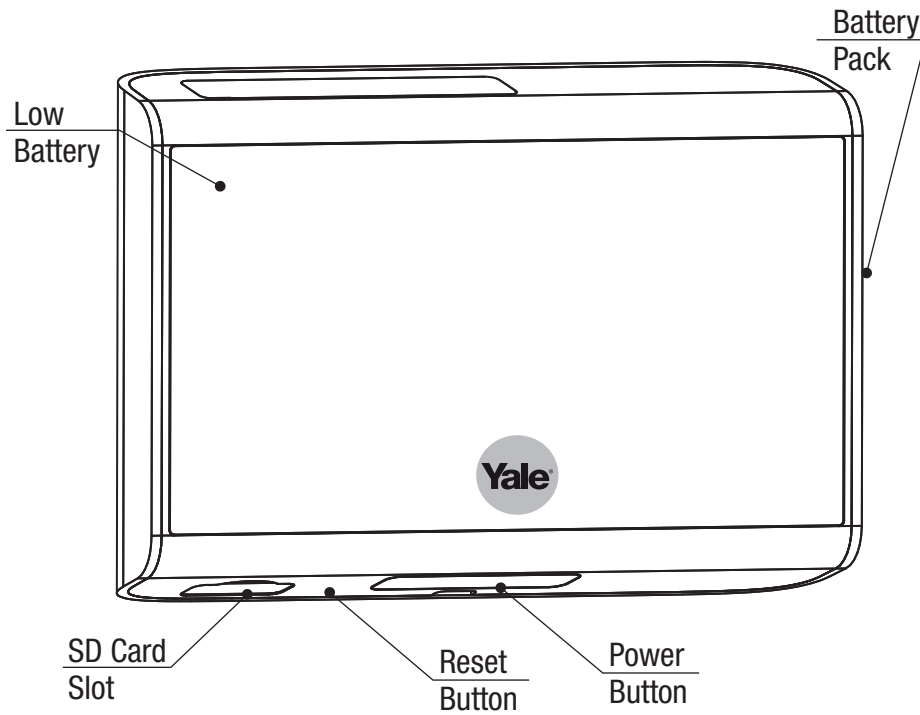
Installing Micro SD Card



Congratulations, you've installed the
Yale Real Living® Look Door Viewer™!

NOTE: Look Door Viewer will not function properly until configured with Look App.

Look Door Viewer™ Programming



Yale Look App



Look Door Viewer will not function properly until configured with Look App.

Download the free Yale Look app from the Google Play Store or App Store.



Setting Up Your Device

After downloading the application, follow the on-screen instructions.

Device will be in WiFi Direct mode when powered for the first time (Flashing Red and Blue). If unit is not in WiFi Direct mode, pressing the reset button for 5 seconds will put the device into WiFi Direct mode.

DID STICKER

Definitions:

*Please note all adjustments to the Look™ Door viewer are made via the mobile application.

Low Battery: The low battery light will flash when your Look Door Viewer™ batteries are low. You will also receive a notification via your mobile app.

Motion Detection: Turn motion detection on to activate the camera as a visitor approaches the door.

Night Vision: Turn night vision on to capture images of visitors at night.

Doorbell: When the doorbell is active an image/video will be captured once it is pressed. A notification will also be sent to the phone allowing a two way communication.

SD Card: Use the included SD card to store images and videos locally. Each image and/or video will be time and date stamped.

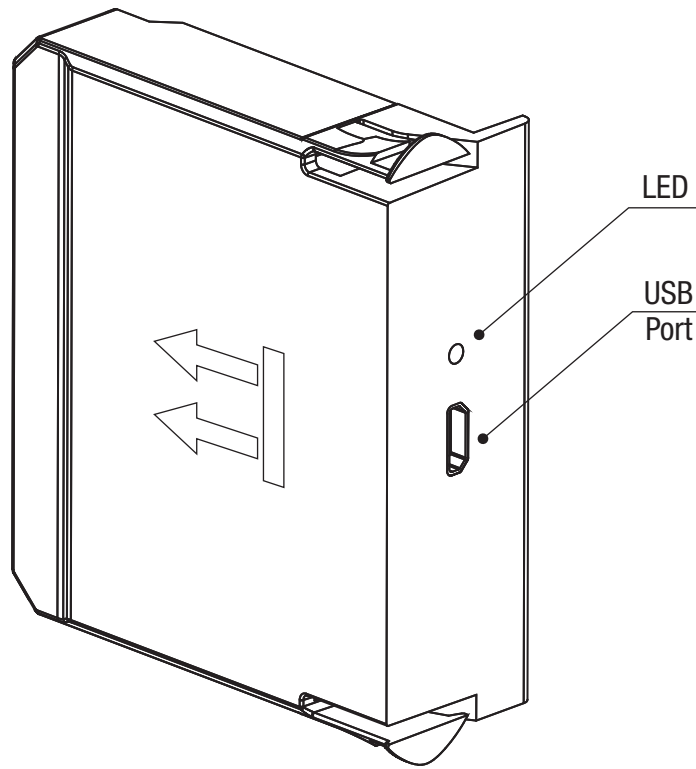
Photo: If the photo setting is chosen as the standard setting, an image will be taken each time the camera is activated. The images will be time and date stamped.

Video: If the video setting is chosen as the standard setting, a video will be taken each time the camera is activated. The video length can be set for 5 seconds or 10 seconds.

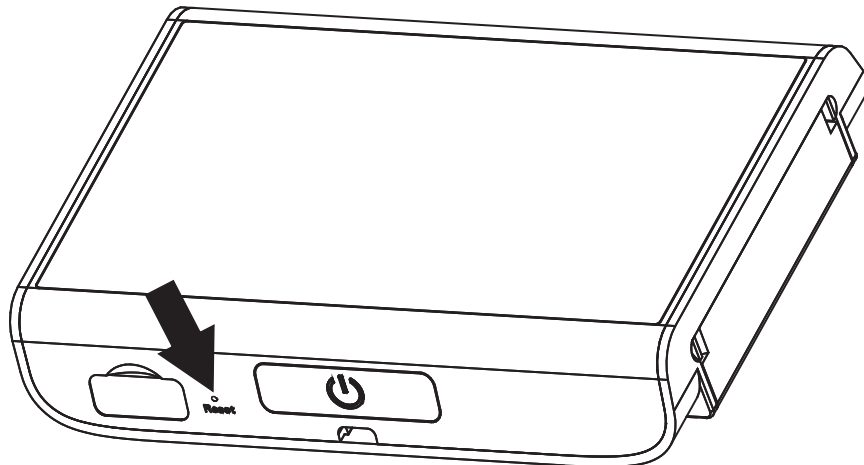
Users: Invite users to have access to the mobile application to receive notifications.

Charging the Battery Pack

Plug the supplied USB micro cable into USB port on battery pack. A USB micro 5v charger with 1 AMP minimum output is required for proper charging. LED will glow red when charging and turn green when charged.



Resetting Look Door Viewer™ to Factory Default



Using a small tool, like a paper clip, press the reset button and hold for 5 seconds to reset the door viewer to factory defaults.

After resetting, the door viewer will be in WiFi direct mode and will need to be configured through the app.

Troubleshooting

Symptom	Suggested Action
Screen doesn't turn on or is fuzzy	Check cable connection.
Unit doesn't power up	Recharge battery pack.
Not receiving Images/Video	Confirm SD card is installed.
Device LED is flashing blue and red	Device is in WiFi Direct mode- Configure with app
Device is flashing red and pink after doorbell or motion	Re-configure network settings or check WiFi signal strength.
Cannot reset device or enter WiFi Direct mode	Press doorbell or inside screen power key prior to pressing and holding reset button for 5 seconds.
Images are dark	In Look App, go to Camera and edit camera settings. Increasing brightness can resolve dark images for some environments.

Attention:

1. Please read this user manual carefully before using our product.
2. Never attempt to repair or modify this product or its accessories by yourself, to avoid injury and invalidating guarantee!
3. Any accidental factor such as being struck by lightning or any incorrect operation could cause a memory loss on the SD card. Keeping copies of the videos is strongly recommended in case of memory loss. We are not responsible for any loss of data.
4. DO NOT use any chemicals to clean this product, such as alcohol or benzene thinner.
5. For remote viewing and notifications, the Look Door Viewer™ requires an 2.4 GHz 802.11 b/g/n WiFi network with at least 1mbs Internet service.

FCC:**Class C Equipment**

This equipment has been tested and found to comply with the limits for a Class C digital device, pursuant to Part 15 of the FCC Rules. These limits are designed to provide reasonable protection against harmful interference in a residential installation. This equipment generates, uses and can radiate radio frequency energy and, if not installed and used in accordance with the instructions, may cause harmful interference to radio communications. However, there is no guarantee that interference will not occur in a particular installation. If this equipment does cause harmful interference to radio or television reception, which can be determined by turning the equipment off an on, the user is encouraged to try to correct the interference by one or more of the following measures:

- Reorient or relocate the receiving antenna.
- Increase the separation between the equipment and receiver.
- Connect the equipment into an outlet on a circuit different from that to which the receiver is connected.
- Consult the dealer or an experienced radio/TV technician for help.

Warning: Changes or modifications to this device, not expressly approved by Yale Security Inc. could void the user's authority to operate the equipment.

Industry Canada:

This Class C digital apparatus meets all requirements of the Canadian Interference Causing Equipment Regulations.
Cet appareillage numerique de la classe C repond a toutes les exigences de l'interference canadienne causant des reglements d'equipement.

Yale Locks & Hardware

Product Support Tel 800.810.WIRE (9473) • www.yalelocks.com

Yale Locks & Hardware is a division of Yale Security Inc., an ASSA ABLOY Group company.

Yale® and Yale Real Living® are registered trademarks of Yale Security Inc., an ASSA ABLOY Group company.

Look Door Viewer™ is a trademark of Yale Security Inc., an ASSA ABLOY Group company.

Copyright © 2017, Yale Security Inc., an ASSA ABLOY Group company.

All rights reserved. Reproduction in whole or in part without the express written permission of Yale Security Inc. is prohibited.

YALE, with its unique global reach and range of products, is the world's favorite lock
–the preferred solution for securing your home, family and personal belongings.

ASSA ABLOY is the global leader in door opening solutions,
dedicated to satisfying end-user needs for security, safety and convenience.