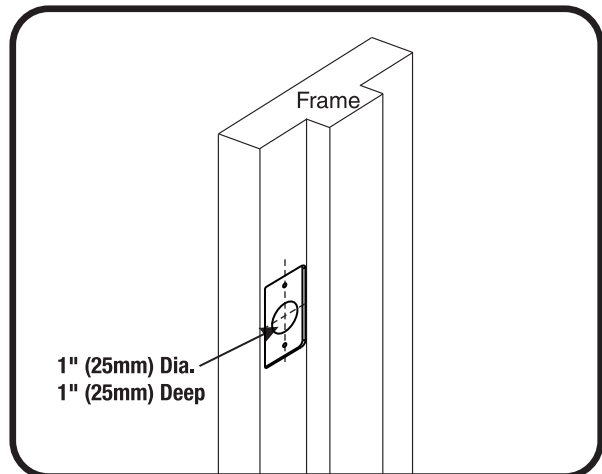
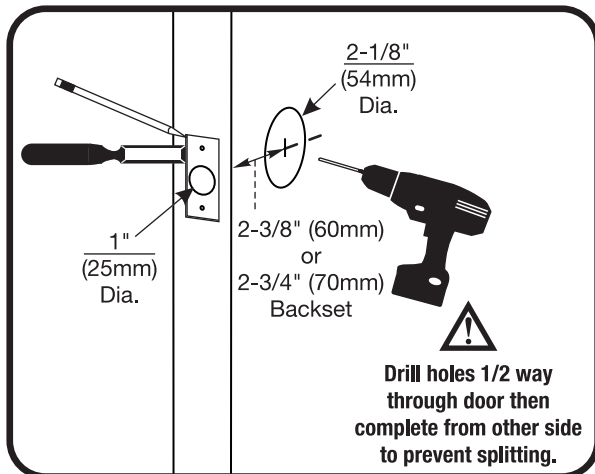


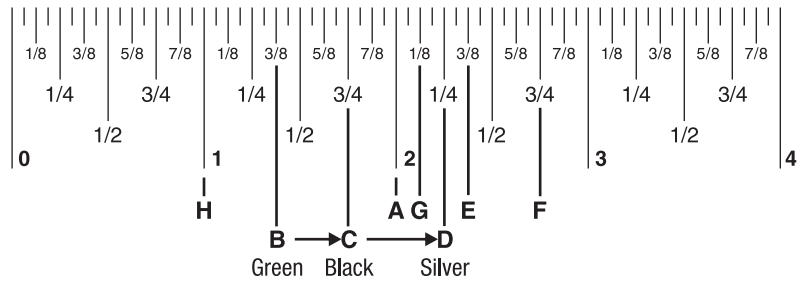
Preparing Door & Frame

Necessary for new doors or adjusting existing prep.

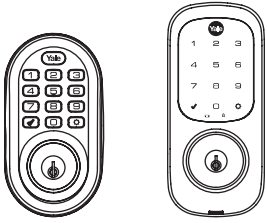


Check Your Door Guide

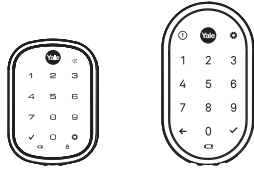
For doors with existing hardware



Keyed Locks



Key Free Locks



*Keyed locks are supplied with Screw Set D for 1-3/4" to 2-1/4" door thickness. A thin door gasket (sold separately) is required for 1-3/8" to 1-3/4" door thicknesses.

*Key Free locks are supplied with all screw sets to accommodate door thicknesses 1-3/8" to 2-1/4".

CAUTION:
If printed from electronic file,
set print scale to 1:1
Measure ruler to check scale.

A. Minimum clearance between top of existing lever/knob rose (trim) and center of deadbolt hole.

* B. 1-3/8" Door Thickness; use Screw Set B. Screws are tinted green.

* C. 1-3/8" - 1-3/4" Door Thickness; use Screw Set C. Screws are tinted black.

* D. 1-3/4" - 2-1/4" Door Thickness; use Screw Set D. Screws are tinted silver.

E. Backset; use Out of Box latch setting.

F. Backset; adjust latch setting.

G. Face Bore Diameter.

H. Edge Bore Diameter and Depth.
Cross Bore Diameter.

Measure Clearance

✓ Greater than A

✗ Less than A
(Your door is not a match for a Yale electronic lock)

Measure Door Thickness

✓ B, C or D

✗ Less than B
(Your door is not a match for a Yale electronic lock)

✗ Greater than D
(Your door is not a match for a Yale electronic lock)

Measure Backset

✓ Equals E or F

✗ Less than E or F
(Your door is not a match for a Yale electronic lock)

✗ Greater than E or F
(Your door is not a match for a Yale electronic lock)

Backset
2-3/8" (60mm)
or
2-3/4" (70mm)

Measure Face Bore

✓ Equals G

✗ Less than G
(Adjust diameter to 2-1/8")

✗ Greater than G
(Your door is not a match for a Yale electronic lock)

2-1/8" (54mm)

Measure Cross Bore

✓ Equals H

✗ Less than H
(Adjust diameter to 1")

✗ Greater than H
(Your door is not a match for a Yale electronic lock)

1" (25mm) Dia.

Measure Strike Pocket Diameter and Depth

✓ Equals H

✗ Less than H
(Adjust diameter and depth to 1")

✗ Greater than H
(Your door is not a match for a Yale electronic lock)

1" (25mm) Dia.
1" (25mm) Deep

Frame

Yale Locks & Hardware

Product Support Tel 1-855-213-5841 • www.yalehome.com

Yale® and Yale Real Living® are registered trademarks of ASSA ABLOY Residential Group. Other products' brand names may be trademarks or registered trademarks of their respective owners and are mentioned for reference purposes only. © Copyright 2019. All rights reserved. Reproduction in whole or in part without the express written permission of ASSA ABLOY Residential Group is prohibited.