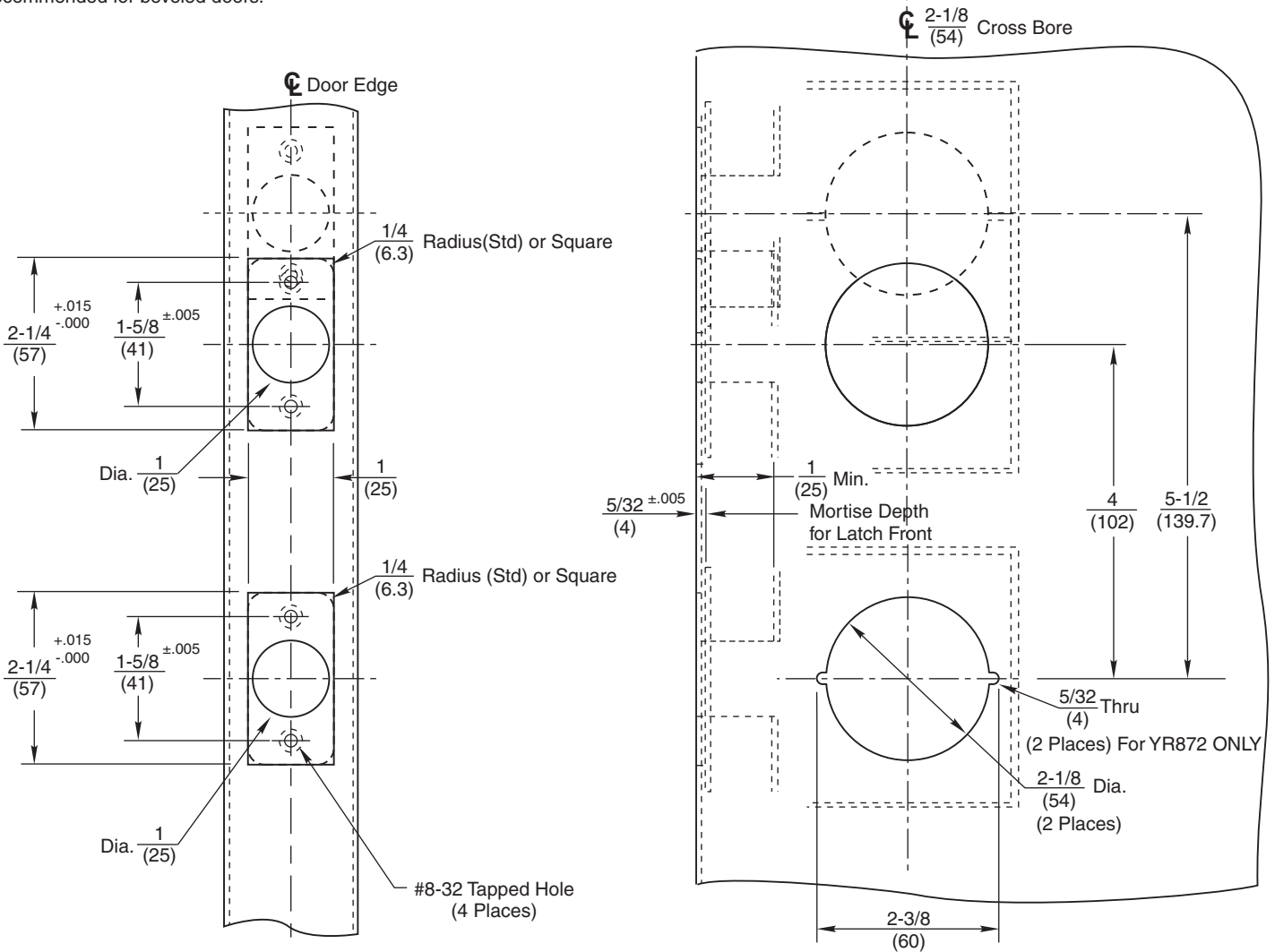
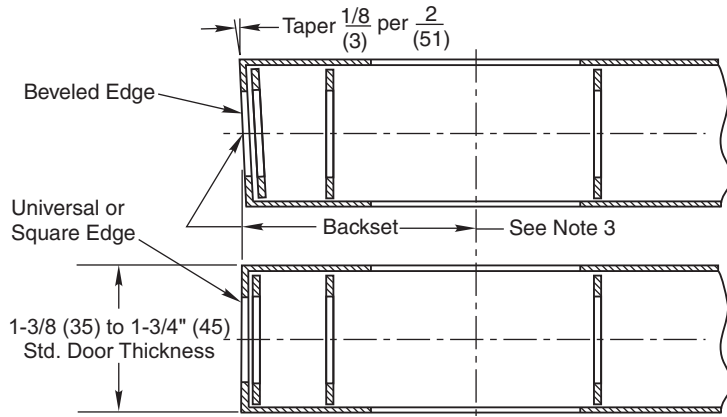


Notes:

1. Do not scale drawing.
2. For strike preparation refer to:
 Full Lip(Latchbolt) Standard Template 412-940006
 T-Strike (latchbolt) Optional Template 412-940002
 ANSI Strike(latchbolt) Optional Template 412-940005
 Universal (Deadbolt) Standard Template 412-0009
 1"x2-1/4" (Deadbolt) Optional Template 412-940004
3. Backset: 2-3/4" (70mm) or 2-3/8" (60mm)
 Specify latch face RC or SC.
4. For wood door preparation refer to:
 Template 412-940017
5. Door manufacturer must provide supports within the door to keep the door from collapsing when lock is installed.
 Back of latch case must also be supported.
6. All dimensions given in inches (mm).
7. All latchbolts are provided with flat fronts, not recommended for beveled doors.



YH Collection™ Interconnected Mechanical Lockset
 1" (25mm) Wide Front
 H.M. Door Preparation
 Backset- 2-3/4" (70mm) and 2-3/8" (60mm)



1-800-438-1951
 www.yalehome.com

TEMPLATE NUMBER

412-940016

DATE

02-18