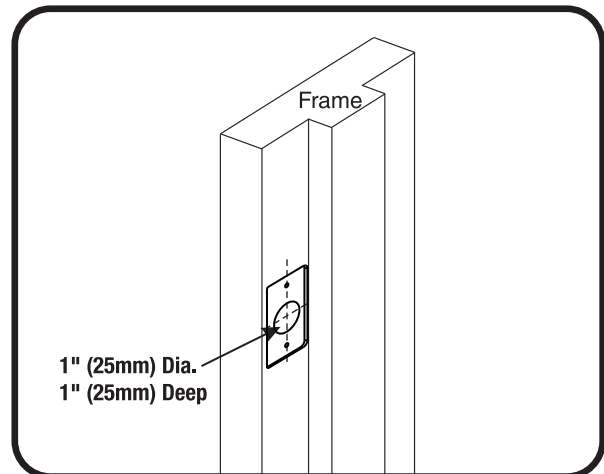
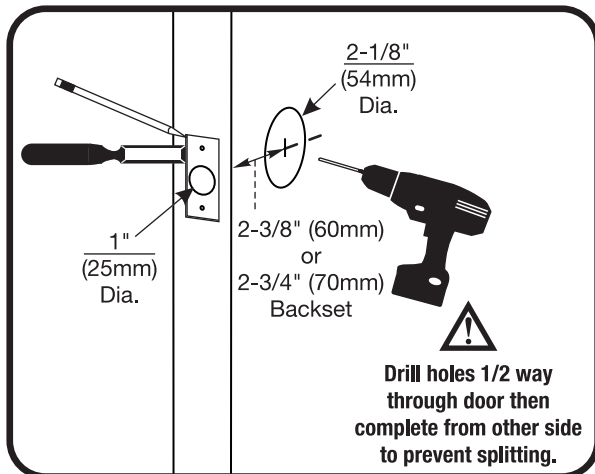


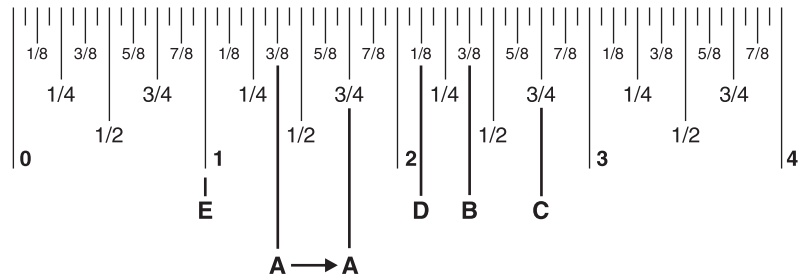
Preparing Door & Frame

Necessary for new doors or adjusting existing prep.



Check Your Door Guide

For doors with existing hardware



- A. 1-3/8" - 1-3/4" Door Thickness
- B. Backset, Use Out of Box latch setting.
- C. Backset, Adjust latch setting.
- D. Face Bore Diameter.
- E. Edge Bore Diameter and Depth.
Cross Bore Diameter.

CAUTION:
If printed from electronic file,
set print scale to 1:1
Measure ruler to check scale.

Measure Door Thickness

- ✓ A
- ✗ Less than A
(Your door is not a match for a Yale electronic lock)
- ✗ Greater than A
(Your door is not a match for a Yale electronic lock)

Measure Backset

- ✓ Equals B or C
- ✗ Less than B or C
(Your door is not a match for a Yale electronic lock)
- ✗ Greater than B or C
(Your door is not a match for a Yale electronic lock)

Backset
2-3/8" (60mm)
or
2-3/4" (70mm)

Measure Face Bore

- ✓ Equals D
- ✗ Less than D
(Adjust diameter to 2-1/8")
- ✗ Greater than D
(Your door is not a match for a Yale electronic lock)

2-1/8" (54mm)

Measure Cross Bore

- ✓ Equals E
- ✗ Less than E
(Adjust diameter to 1")
- ✗ Greater than E
(Your door is not a match for a Yale electronic lock)

1" (25mm) Dia.

Measure Strike Pocket Diameter and Depth

- ✓ Equals E
- ✗ Less than E
(Adjust diameter and depth to 1")
- ✗ Greater than E
(Your door is not a match for a Yale electronic lock)

1" (25mm) Dia.
1" (25mm) Deep

Frame

Yale Locks & Hardware

Product Support Tel 1-855-213-5841 • www.yalehome.com

Yale® and Yale Real Living® are registered trademarks of ASSA ABLOY Residential Group. Other products' brand names may be trademarks or registered trademarks of their respective owners and are mentioned for reference purposes only. © Copyright 2019. All rights reserved. Reproduction in whole or in part without the express written permission of ASSA ABLOY Residential Group is prohibited.