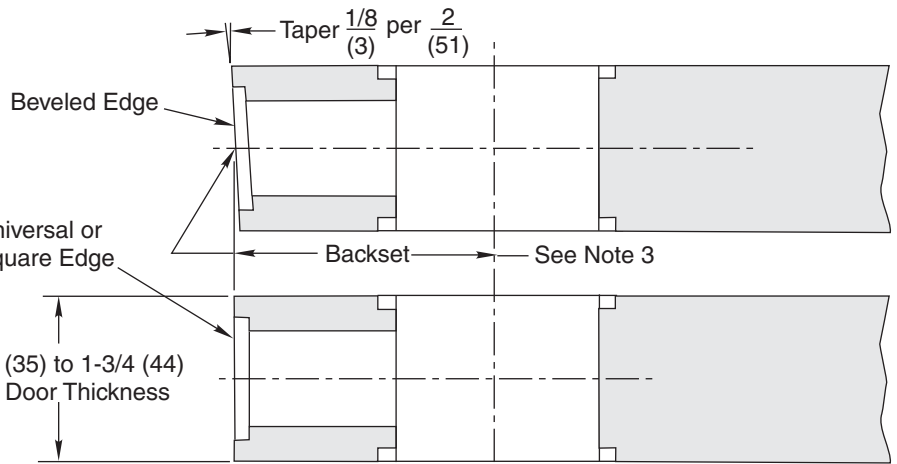


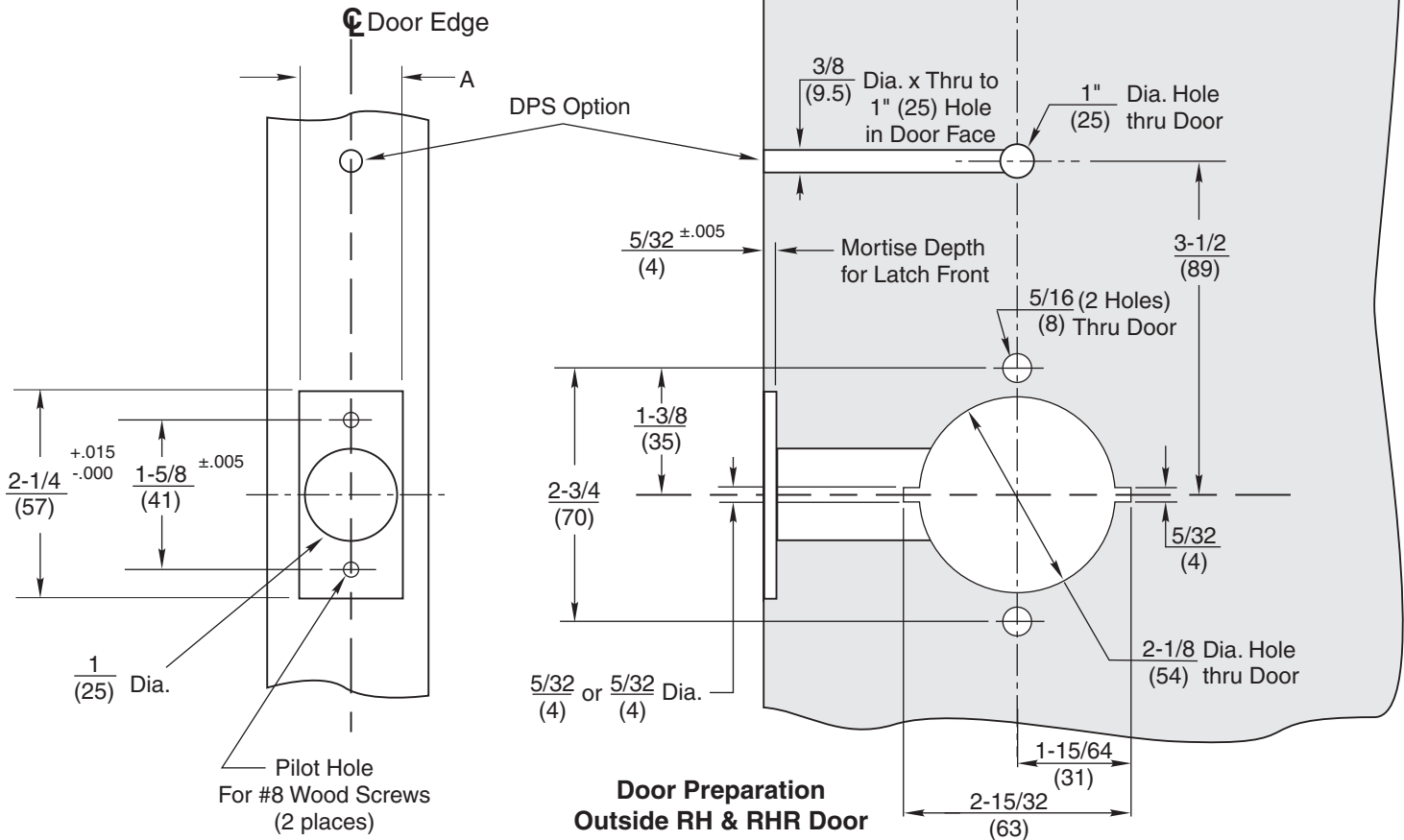
**Notes:**

1. Do not scale drawing
2. For strike preparation refer to:  
371 Strike - Template No. 7102-0005  
497 Strike - Template No. 7102-0003
3. Backset: 2-3/4" (70mm) standard
4. For H.M. door preparation refer to  
Template No. 80-8150-0033-010
5. All dimensions given in inches (mm).



nexTouch™ Cylindrical Locks	
NTB610	Cylinder Override - Push Button
NTB620	Cylinder Override - Cap Touch
NTB630	No Cylinder Override - Push Button
NTB640	No Cylinder Override - Cap Touch

nexTouch™ Cylindrical Lock Latch Options				
Latch No.	Front	Backset	Latchbolt Throw	Front Dim. A
694 (std)	Beveled	2-3/4" (70)	1/2" (13)	1-1/8" (29)
F694	Flat	2-3/4" (70)	1/2" (13)	1-1/8" (29)
480B	Beveled	2-3/4" (70)	3/4" (19)	1-1/8" (29)
F480B	Flat	2-3/4" (70)	3/4" (19)	1-1/8" (29)



**nexTouch™ Cylindrical Locks  
Wood Door Preparation  
2-3/4" (70mm) Backsets**



TEMPLATE NUMBER	DATE
<b>80-8150-0034-010</b>	<b>11-17</b>