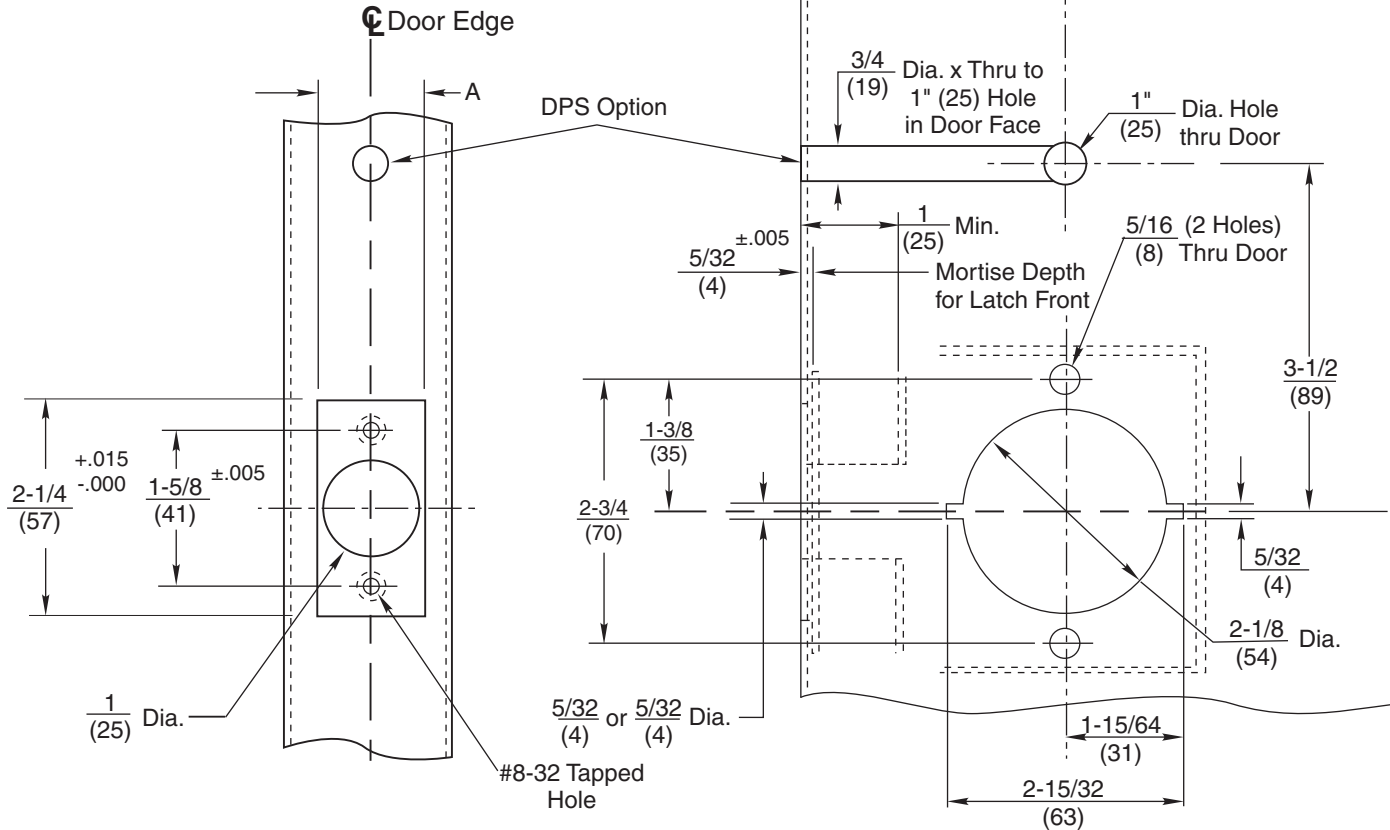
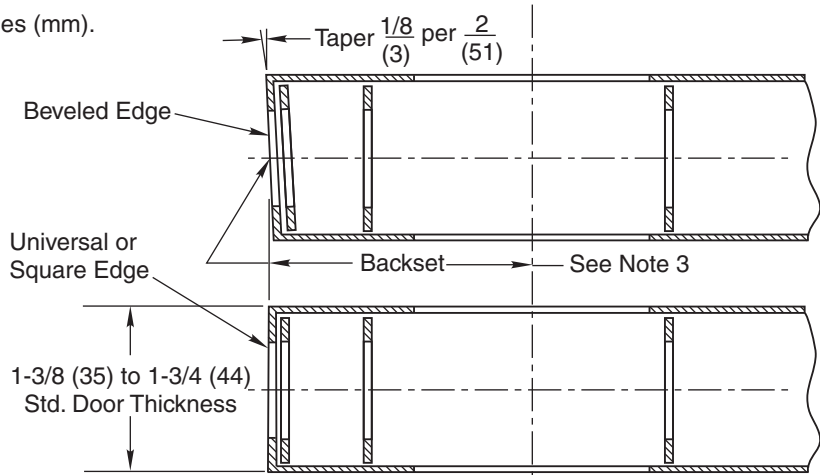


Notes:

1. Do not scale drawing. All dimensions given in inches (mm).
2. For strike preparation refer to:
371 Strike - Template No. 7102-0005
497 Strike - Template No. 7102-0003
3. Backset: 2-3/4" (70mm) standard
4. For wood door preparation refer to Template No. 80-8150-0034-010
5. Door manufacturer must provide supports within the door to keep the door from collapsing when lock is installed. Back of latch case must also be supported.

nexTouch™ Cylindrical Locks	
NTB610	Cylinder Override - Push Button
NTB620	Cylinder Override - Cap Touch
NTB630	No Cylinder Override - Push Button
NTB640	No Cylinder Override - Cap Touch

nexTouch™ Cylindrical Lock Latch Options				
Latch No.	Front	Backset	Latchbolt Throw	Front Dim. A
694 (std)	Beveled	2-3/4" (70)	1/2" (13)	1-1/8" (29)
F694	Flat	2-3/4" (70)	1/2" (13)	1-1/8" (29)
480B	Beveled	2-3/4" (70)	3/4" (19)	1-1/8" (29)
F480B	Flat	2-3/4" (70)	3/4" (19)	1-1/8" (29)



**nexTouch™ Cylindrical Locks
H.M. Door Preparation
2-3/4" (70mm) Backsets**



TEMPLATE NUMBER	DATE
80-8150-0033-010	11-17