

Treasuring your freedom

Yale Safe User Manual

Para modelos:

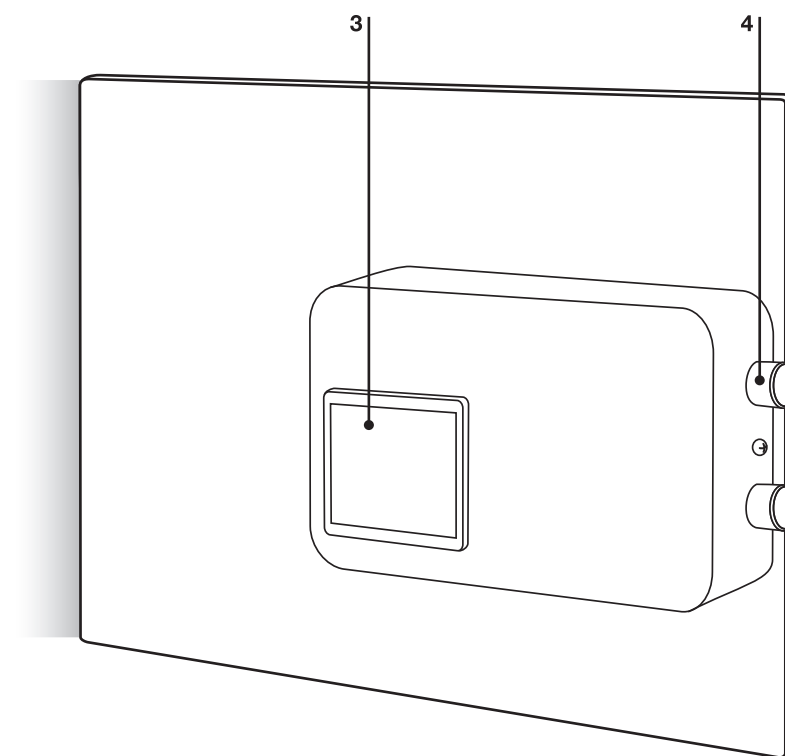
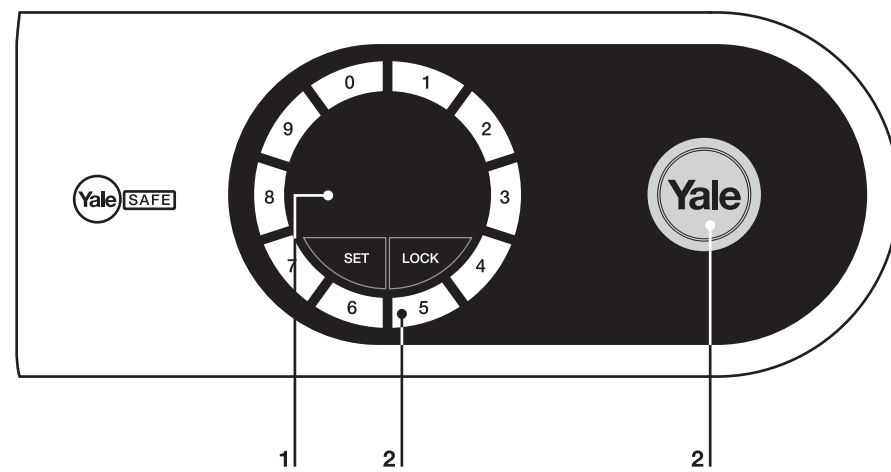
Elite Motorized Safe Series

Please keep manual safe
for future reference.

An ASSA ABLOY Group brand **ASSA ABLOY**



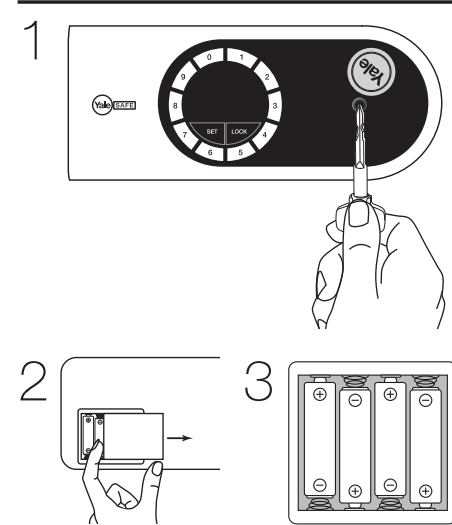
The world's favorite lock **Yale**



Safe overview

- 1 Display
- 2 Keypad
- 3 Concealed override keyhole
- 4 Battery compartment
- 5 Locking bolts

First time operating a new Safe



- 1 Open the safe using the manual override key.
- 2 Remove the battery cover located on the rear of the door.
- 3 Place the batteries according to the illustration at the back of the battery compartment. Once the batteries are installed, close the battery compartment. Before using your Yale safe you must insert batteries. The safe requires 4 "AA" (1.5V R06) – which are included.

When batteries need changing the display will show **Lo-BAT** during operation.

- 4 Close the safe using the manual override Key

Please note, when the safe is opened by manual override key, it must be closed by the manual override key too. Otherwise the locking mechanism may be damaged.

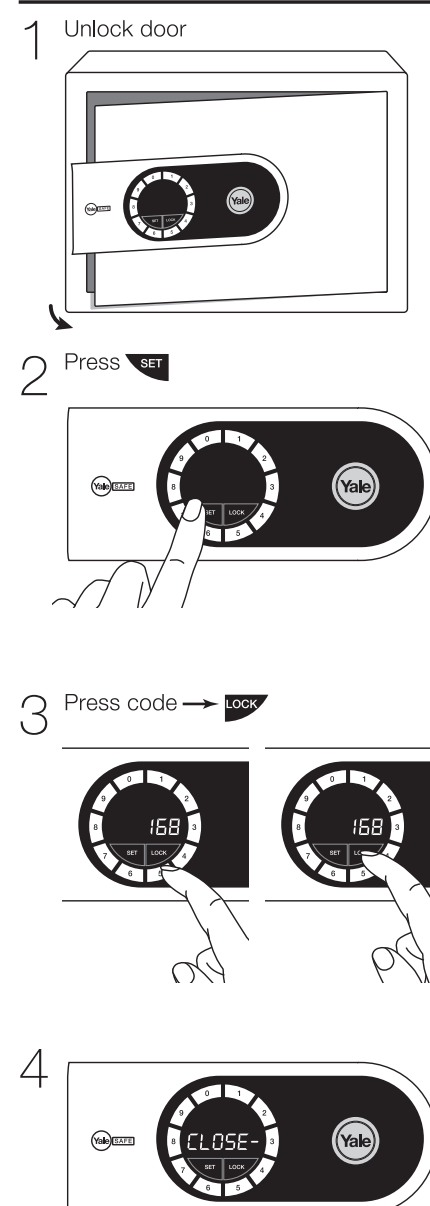
Securing the safe

To reduce the risk of theft it is essential that your safe is securely fixed. Please use the included bolts and secure to a solid concrete floor.

For maximum performance and correct installation a professional locksmith is recommended to install the safe.

! This product is heavy. Incorrect installation may result in injury.

Set/re-set your user code



- 1 It is important for user to re-program the User Code and Administration Code for a new Safe unit as soon as it is in place. The user code may only be programmed when the safe is unlocked by the electronic panel. Enter the user code or use Administration Mode to unlock the safe. (For re-programming the Administration Code, please follow the instruction in the Administration section in the user manual.)

- 2 Press **SET**. Enter the new user code (3-6 digits). Press **LOCK** to complete the user code setting.

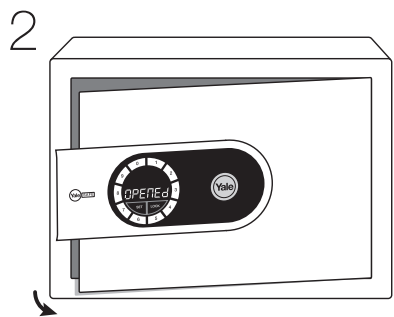
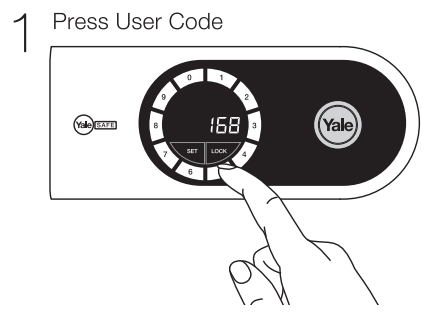
- 3 The display **CLOSE-** will confirm that the new code is set and door will be locked at the same time. The new code will be displayed for ~2 seconds. (The display of new code can be canceled by setting in Administration Mode, please see Administration Setting part for details)

! The default ex-factory User Code is 168. After the User Code is reprogrammed, Please remember it well and keep it in a secure place. Once it is re-programmed, the default ex-factory User Code CANNOT be used again to unlock the safe

! If you have forgotten your code, use the Administration Mode to open the safe and re-set your user code. Please note that using the manual overriding key to open the safe won't be able to re-set the user code.

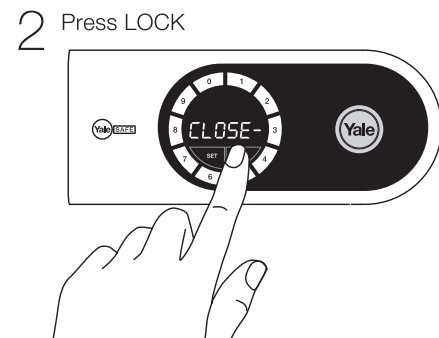
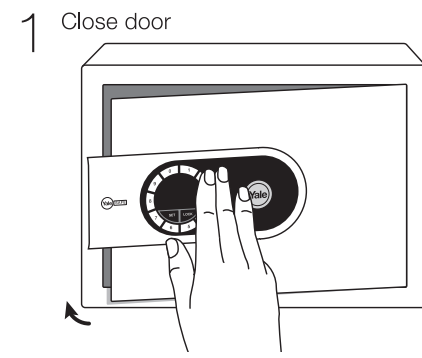
! Please note, your user code does not have to be reprogrammed when you change the batteries.

Opening the safe



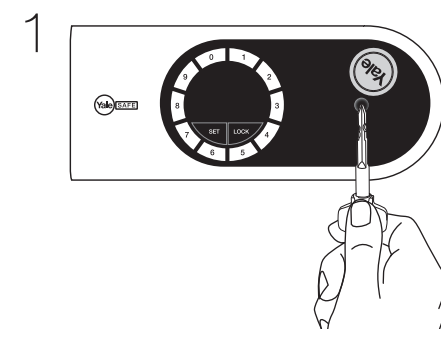
- 1 Press user code.
- 2 If the code is correct, the display will show *OPENED* and the door will open.

Closing the safe



- 1 Close the safe door.
 - 2 Press **LOCK**. The bolts engage, locking the door and the display shows *CLOSE-*.
- Please note that if the safe is unlocked by manual override key, it can only be locked by the manual override key. If the safe is unlocked by electronic key code, it can only be locked by the electronic key. Forcing the safe to lock/unlock by different means may damage the internal locking mechanism causing permanent failure in the lock.
 - Please note, if an incorrect user code is entered, the display will show "Error" and the door will not open. If the wrong user code is entered 3 consecutive times an alarm will sound for approximately 1 minute. The safe will be locked down for approximately 3 minutes. During this time, the safe cannot be unlocked by electronic user code.

Using the manual override key



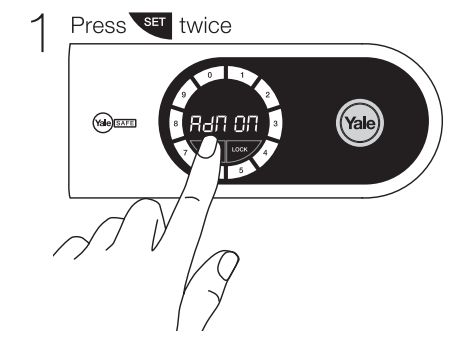
- 1 To open the safe place the key in the key hole behind the Yale logo. The key can only be inserted one way. Turn the key clockwise to fully retract the locking bolts.

⚠ Please do not store the mechanical override keys inside the safe.

💡 Please note, gentle force should be used when inserting, turning or retracting the key. When the key is operated correctly the force needed to operate is light. Incorrect operation by brutal force may damage the lock.

💡 Please note, the key cannot be removed from the lock when the safe is opened using the mechanical override key. To remove the key, the safe must first be locked using the key. When the safe is unlocked by the manual override key, it cannot be locked by pressing the electronic panel. An "ERROR" sign will be shown if the user tries to do so. Doing so may damage the locking mechanism.

Administration mode



- 1 Press **SET** twice to activate the Administration entry mode.
- 2 Press the Administration pass code and then press **LOCK** button to enter.
- 3 If the Administration pass code is entered correctly, it will display *CC--*.
- 4 User can then make different settings under the Administration Mode.
- 5 To exit the Administration Mode, either press **SET** or it will exit automatically after idle for approximately 20 seconds.

💡 The default ex-factory Administration Code is 000000. After the Administration Code is reprogrammed, Please remember it well and keep it in a secure place. Once it is re-programmed, the default ex-factory Administration Code CANNOT be used again to unlock the safe.

Unlock the safe in Administration mode

- 1 Under the Administration Mode, enter 00 and then press **LOCK**.
- 2 The display will show *OPENED* and the door will open.

Reset the Administration Code

- 1 Under the Administration Mode, enter 01 and then press **LOCK**.
- 2 The display will show *REC RC*.
- 3 Enter the new Administration Code and then press **LOCK**.
- 4 The display will show *REPEAT*.
- 5 Enter the new Administration Code again for confirmation and then press **LOCK**.
- 6 If the new Administration Code is successfully registered the display will show *0000*. Otherwise it will show *Error* and no new Administration Code would be set.

Turning sound on/off

- 1 Under the Administration Mode, enter 02 and then press **LOCK** to toggle between sound on/off. Default setting is on.
- If display *SOUND*, the audio feedback when operating the safe is turned off.
 - If display *SOUND*, the audio feedback when operating the safe is turned on.
- 💡 The sound on/off option does not affect the alarm sounding of 3 consecutive wrong entries.

Quick Locking Time Limit On/Off

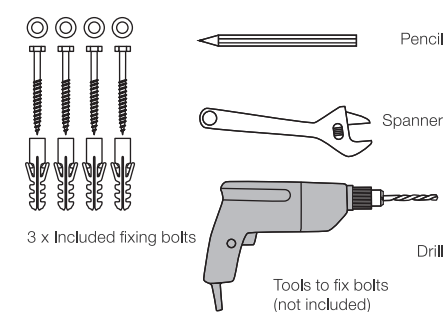
- 1 Under the Administration Mode, enter 04 and then press **LOCK** to toggle between the Quick Locking time limit on/off. Default setting is OFF.
- If display *QLE OFF*, when user press **LOCK** to lock the safe, it will always lock with the same User Code no matter how long the safe had been unlocked and idled.
 - If display *QLE ON*, when user press **LOCK** to lock the safe, it will lock with the same User Code within 5 minutes. If the safe is unlocked and idled for more than 5 minutes, a new user code must be set in order to lock the safe.

Show/hide digits while entering code

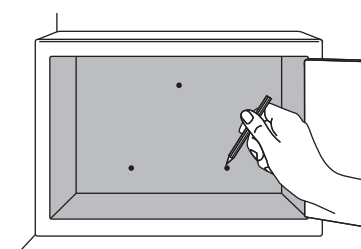
- 1 Under the Administration Mode, enter 03 and then press **LOCK** to toggle between display on/off. Default setting is on.
- If display *d15 OFF*, it shows "-" only when a code is entered and the code will not be displayed after locking.
 - If display *d15 ON*, the code will be shown during it is entered and the code will be displayed after locking.

Battery replacement warning

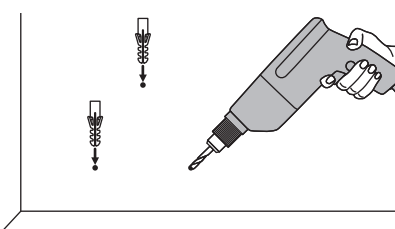
When the battery is about to run out, the display will flash *Lo-BAT* during operation. User should replace with new batteries as soon as possible.



- 1 Mark the position of the safe through fixing holes.



- 2 Remove the safe and drill the holes as marked. If needed, drop the plugs in the drilled holes.

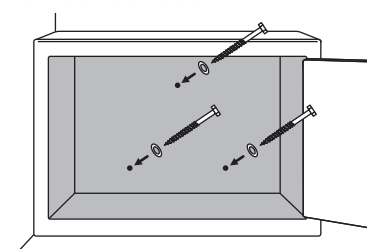


Installing the safe

To reduce the risk of theft it is essential that your safe is securely fixed. Please use the provided bolts to fix the safe horizontally and secure to a solid concrete floor or wall.

For your convenience, there are fixing holes both in the bottom and on the back, please fix the safe correctly according to below diagrams.

- 3 Reposition the safe over the holes. Drop the screws and washers through the safe into the drilled holes.



- 4 Tighten the fixing bolts firmly and ensure there is no movement of the safe.

