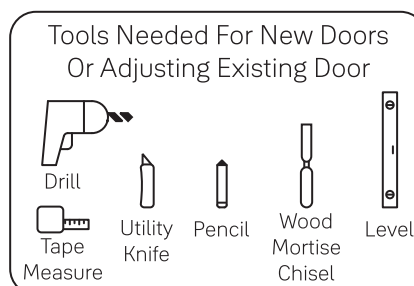




This manual will walk you through all the required steps to add your new YALE ASSURE Lever Set to your door.

- Remove existing door knob or lever
- Double check door measurements
- Install your YALE ASSURE Lever Set
- Program your YALE ASSURE Lever Set

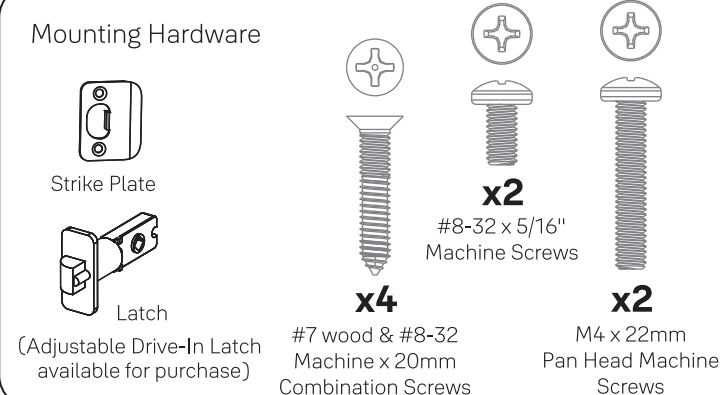
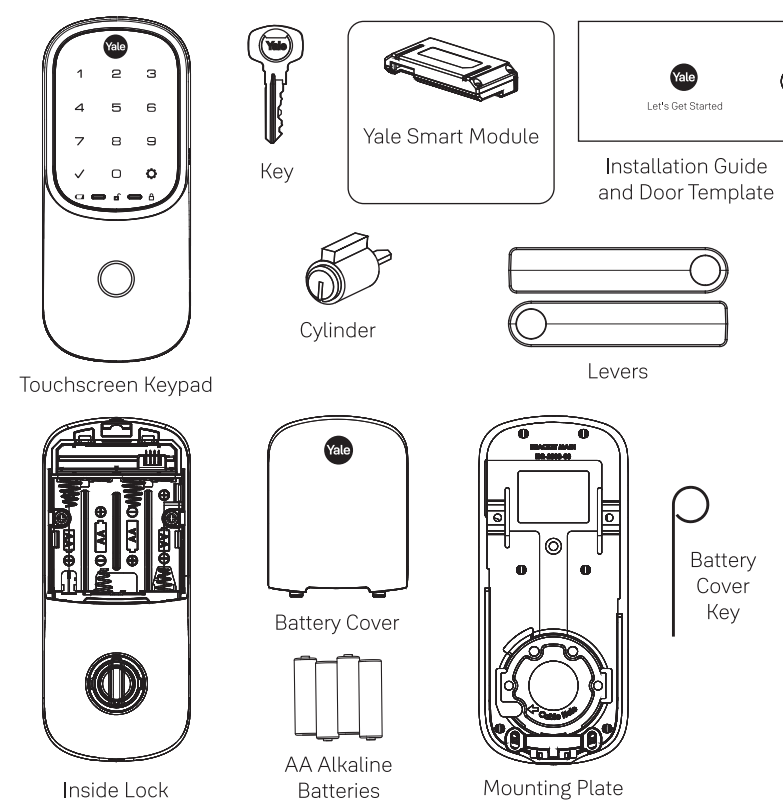


WARNING

Failure to follow these instructions could result in damage to the product, voiding the factory warranty and could lead to failure of the product to provide access.

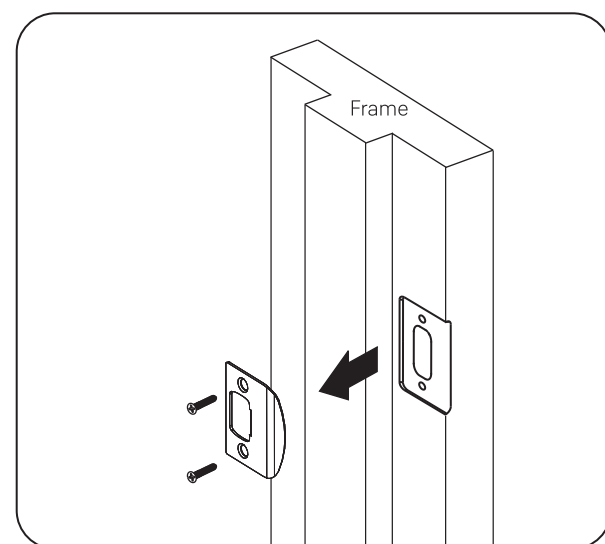
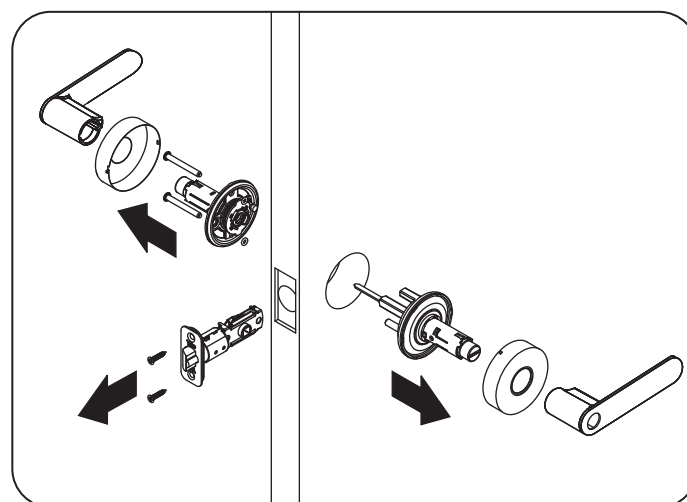
Part No. YRL226-DL3-121 0523

What's In The Box



1 Removing Existing Door Knob or Lever

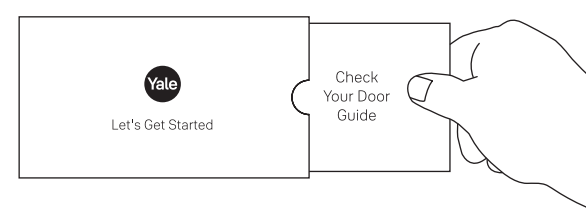
Do not discard old lock hardware until YALE ASSURE Lever Set has been successfully installed.



2 Check Door Measurements and Make Adjustments If Needed

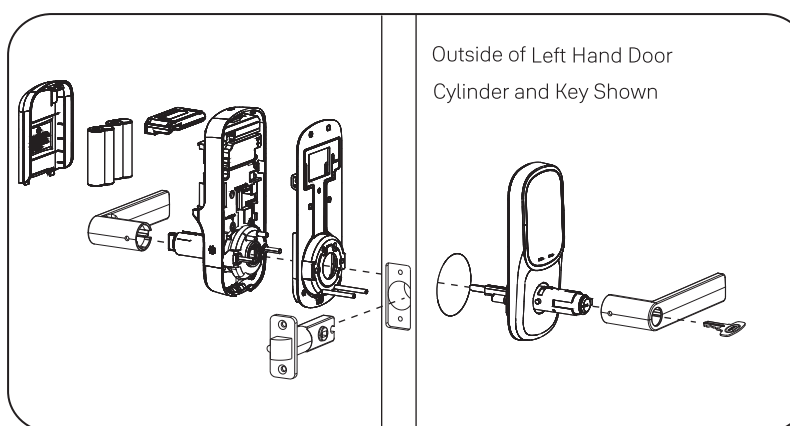
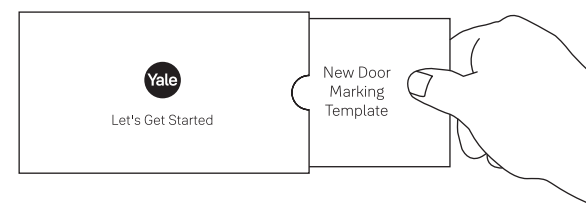
Door Checker

Use door checker from installation guide envelope to verify your door measurements and make any needed adjustments.

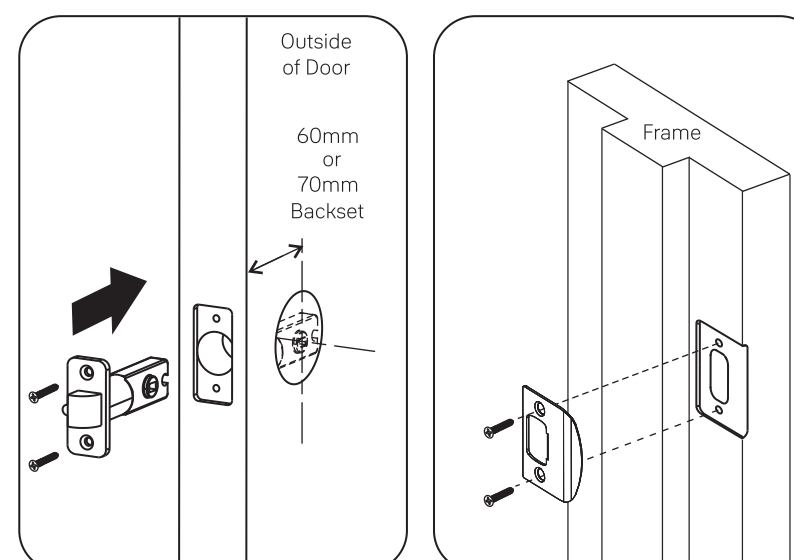
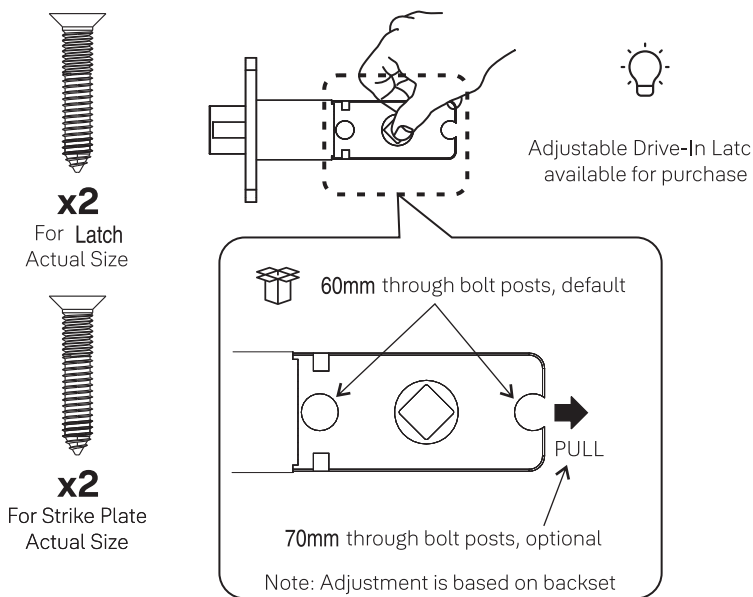


New Door Marking Template

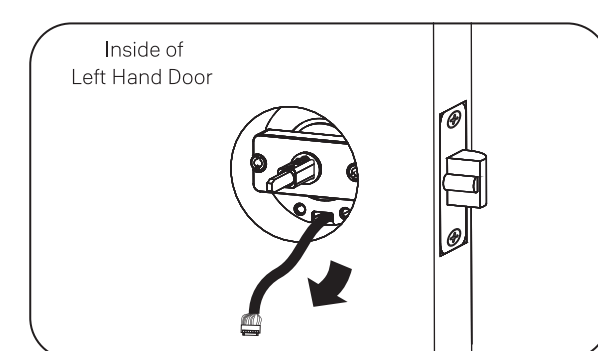
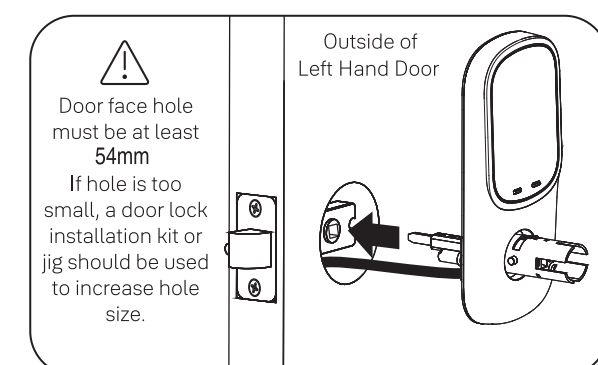
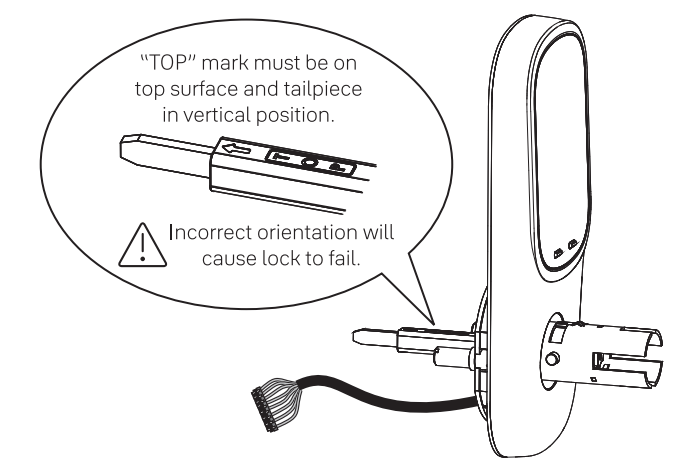
With the door checker, use the templates from installation guide envelope to prep a new door that has not been predrilled for hardware.



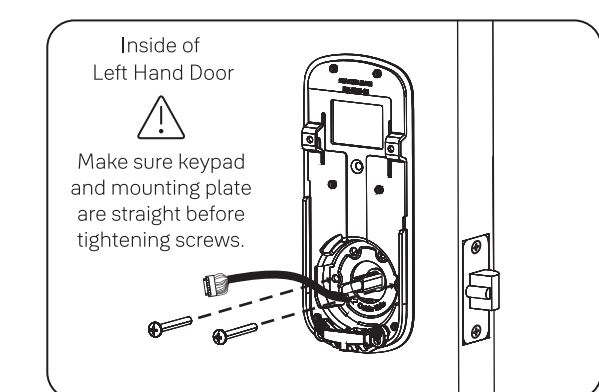
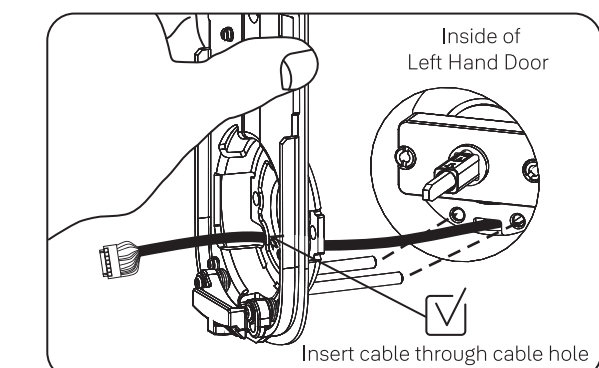
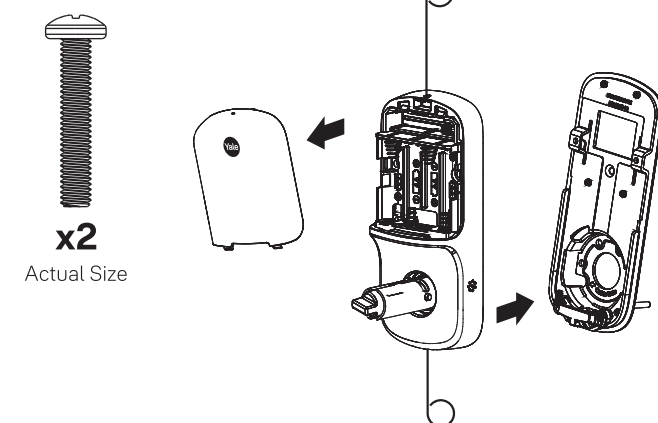
3 Install Latch and Strike Plate
Left Hand Installation Shown



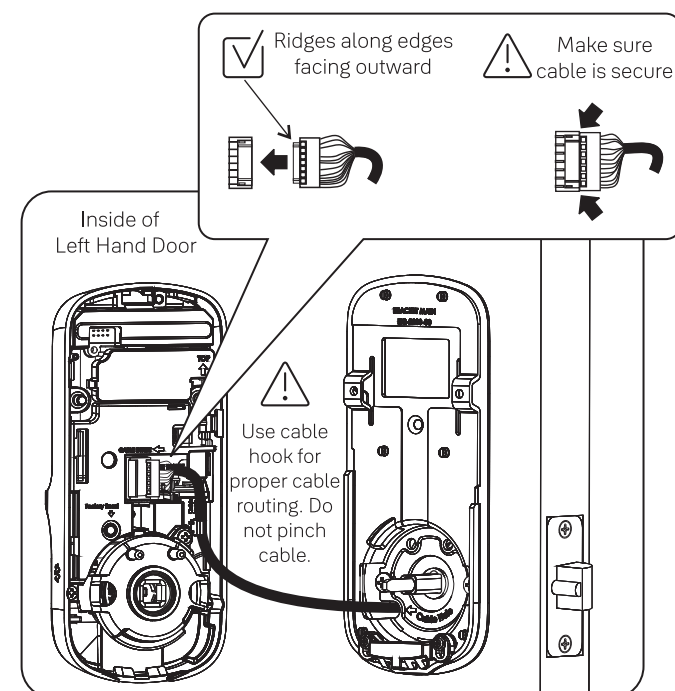
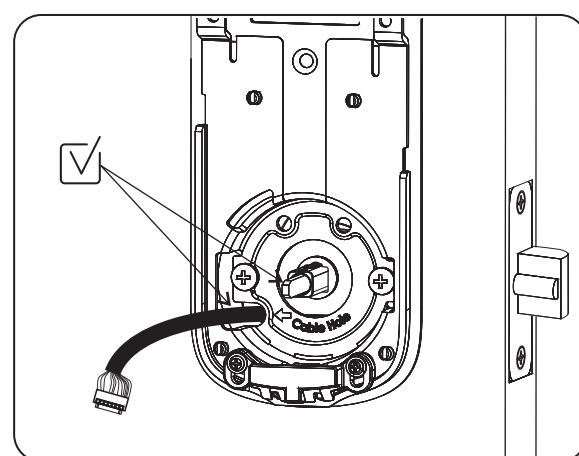
4 Install Touchscreen
Left Hand Installation Shown



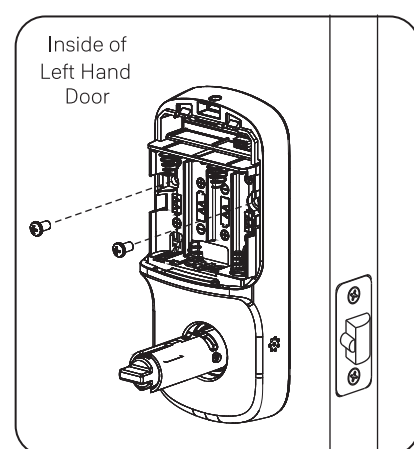
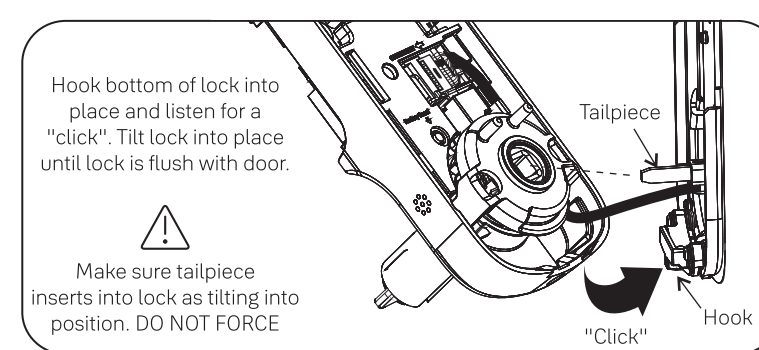
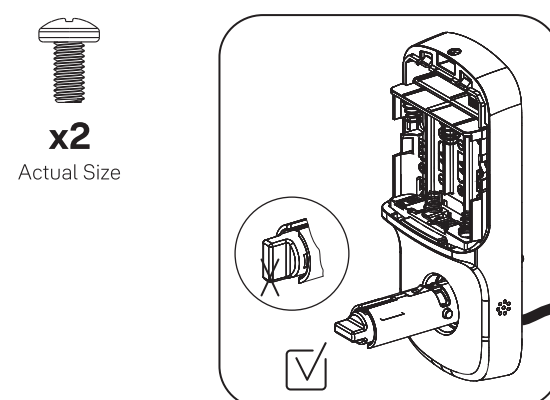
5 Install Mounting Plate
Left Hand Installation Shown



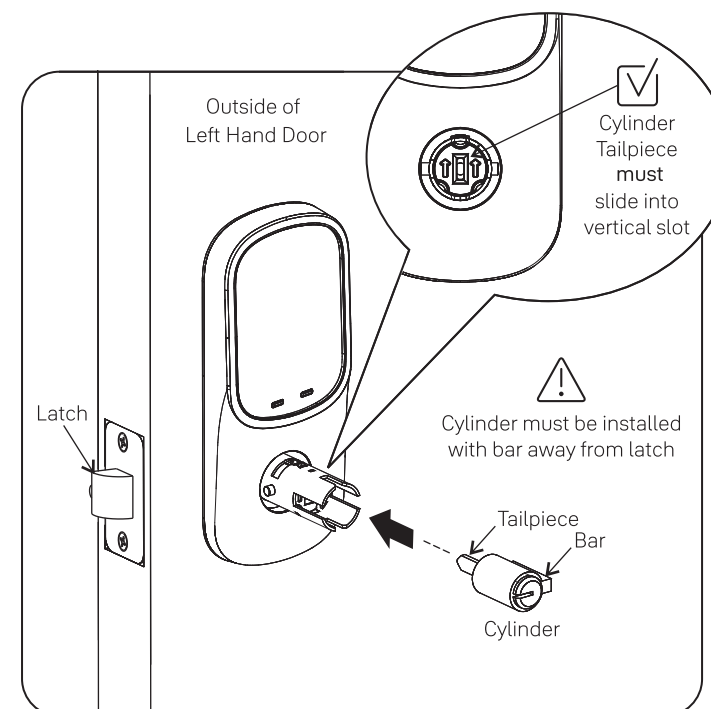
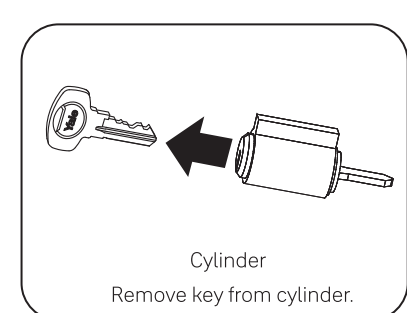
6 Attach Cable
Left Hand Installation Shown



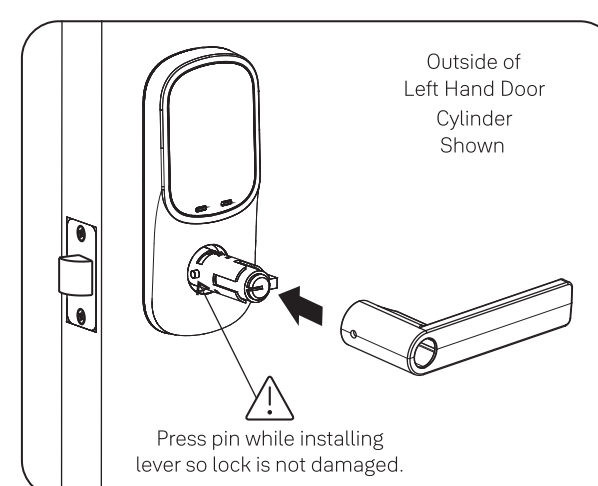
7 Install Inside Lock
Left Hand Installation Shown



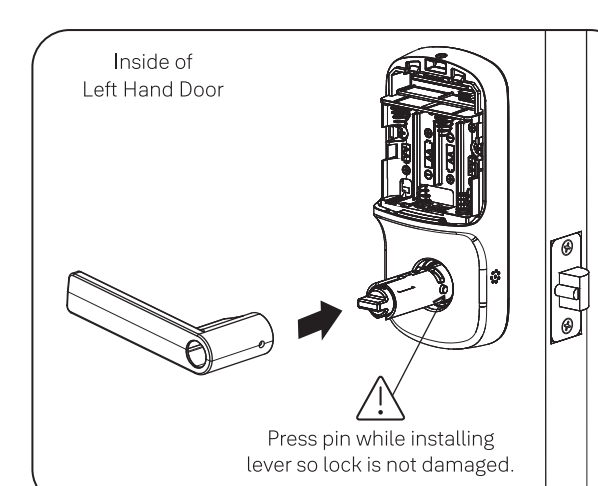
8 Install Cylinder



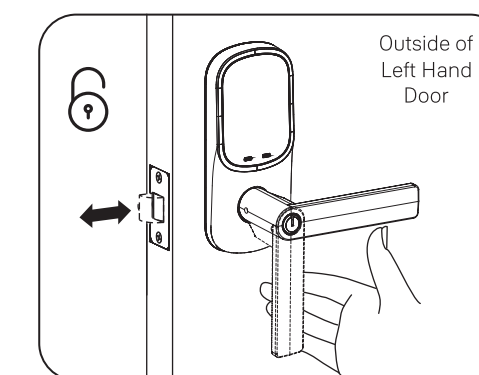
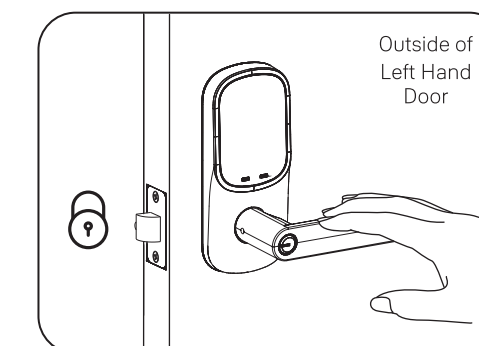
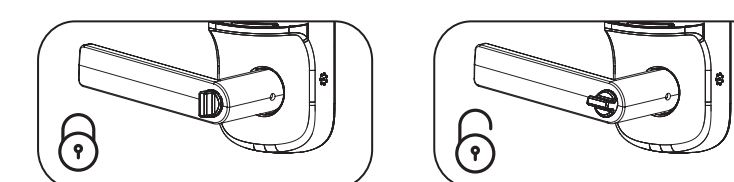
9 Install Outside Lever



10 Install Inside Lever

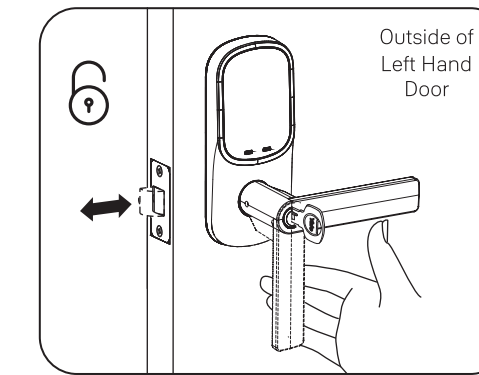
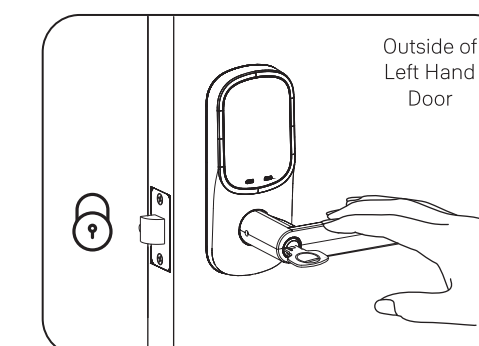
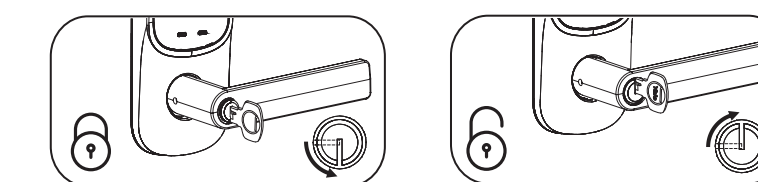


Test Thumbturn Operation with Door Open



Test thumbturn and both levers in locked and unlocked positions. If operation fails, check installation beginning with Step 4 and refer to Hardware Troubleshooting.

Test Key Operation with Door Open



If key operation test fails, check installation beginning with Step 8.

Almost done!
Turn sheet over to finish installation and customise your lock.

