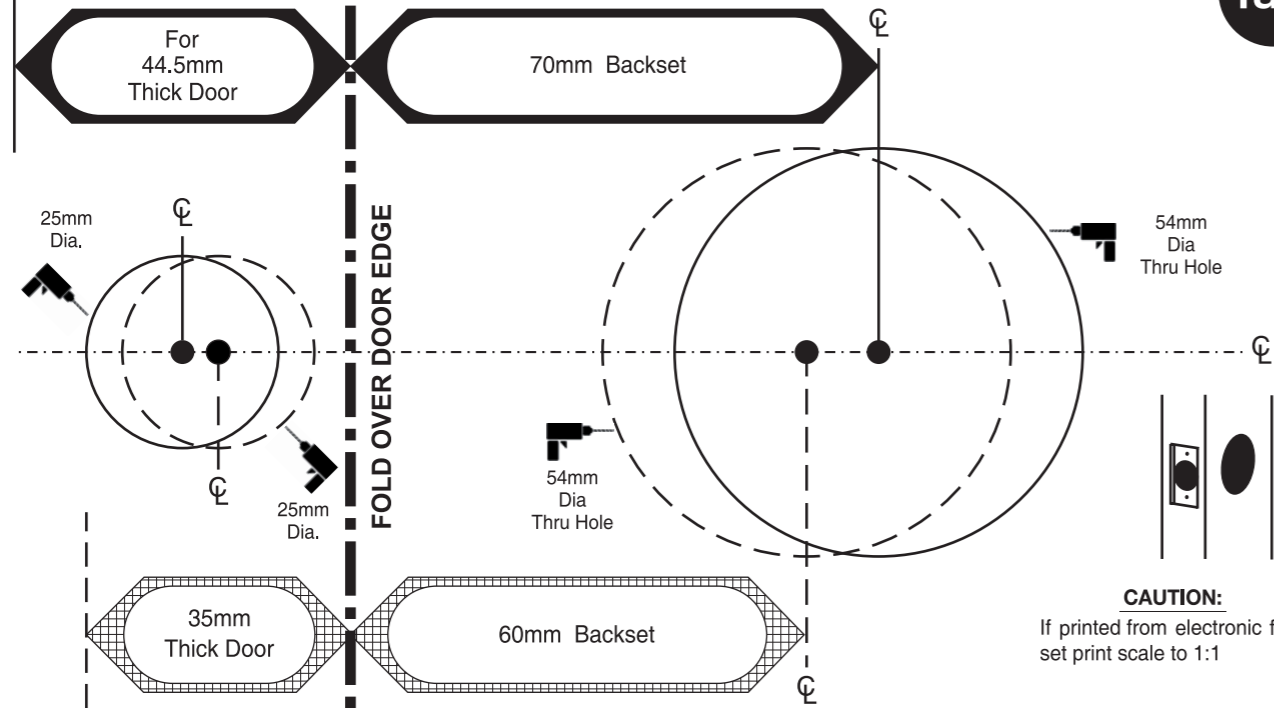
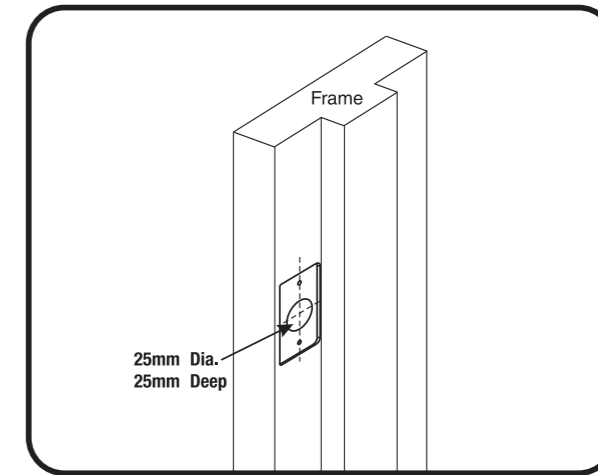
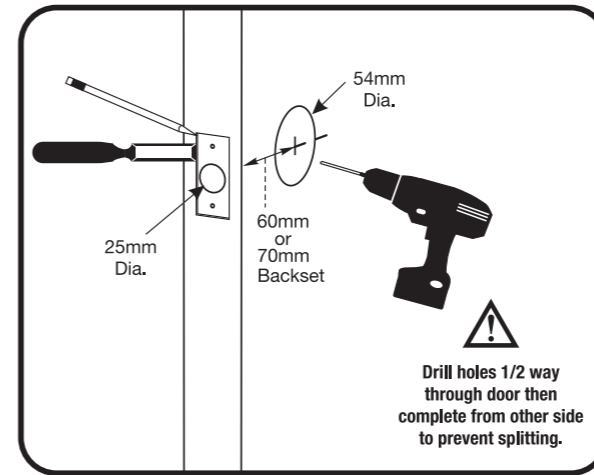


## New Door Marking Template



## Preparing Door & Frame

*Necessary for new doors or adjusting existing prep.*



## Check Your Door Guide

For doors with existing hardware

### CAUTION:

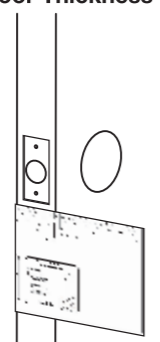
If printed from electronic file  
set print scale to 1:1

**Measure Door Thickness**

✓ A

✗ Less than A  
(Your door is not a match for a Yale electronic lock)

✗ Greater than A  
(Your door is not a match for a Yale electronic lock)



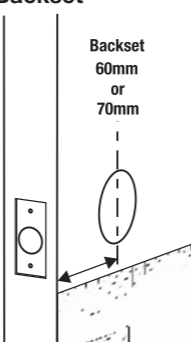
**Measure Backset**

✓ Equals B or C

✗ Less than B or C  
(Your door is not a match for a Yale electronic lock)

✗ Greater than B or C  
(Your door is not a match for a Yale electronic lock)

Backset  
60mm  
or  
70mm



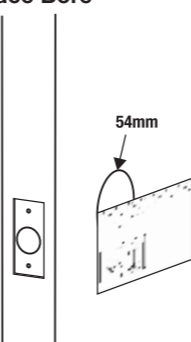
**Measure Face Bore**

✓ Equals D

✗ Less than D  
(Adjust diameter to 54mm)

✗ Greater than D  
(Your door is not a match for a Yale electronic lock)

54mm



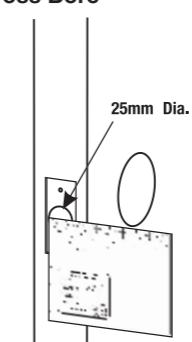
**Measure Cross Bore**

✓ Equals E

✗ Less than E  
(Adjust diameter to 25mm)

✗ Greater than E  
(Your door is not a match for a Yale electronic lock)

25mm Dia.



**Measure Strike Pocket Diameter and Depth**

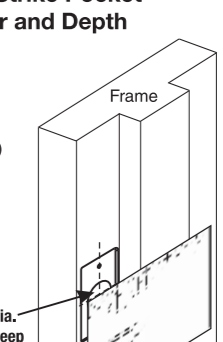
✓ Equals E

✗ Less than E  
(Adjust diameter and depth to 25mm)

✗ Greater than E  
(Your door is not a match for a Yale electronic lock)

25mm Dia.  
25mm Deep

Frame



A. 35mm - 44.5mm Door Thickness

B. Backset, Use Out of Box latch setting.

C. Backset, Adjust latch setting.

D. Face Bore Diameter.

E. Edge Bore Diameter and Depth. Cross Bore Diameter.

